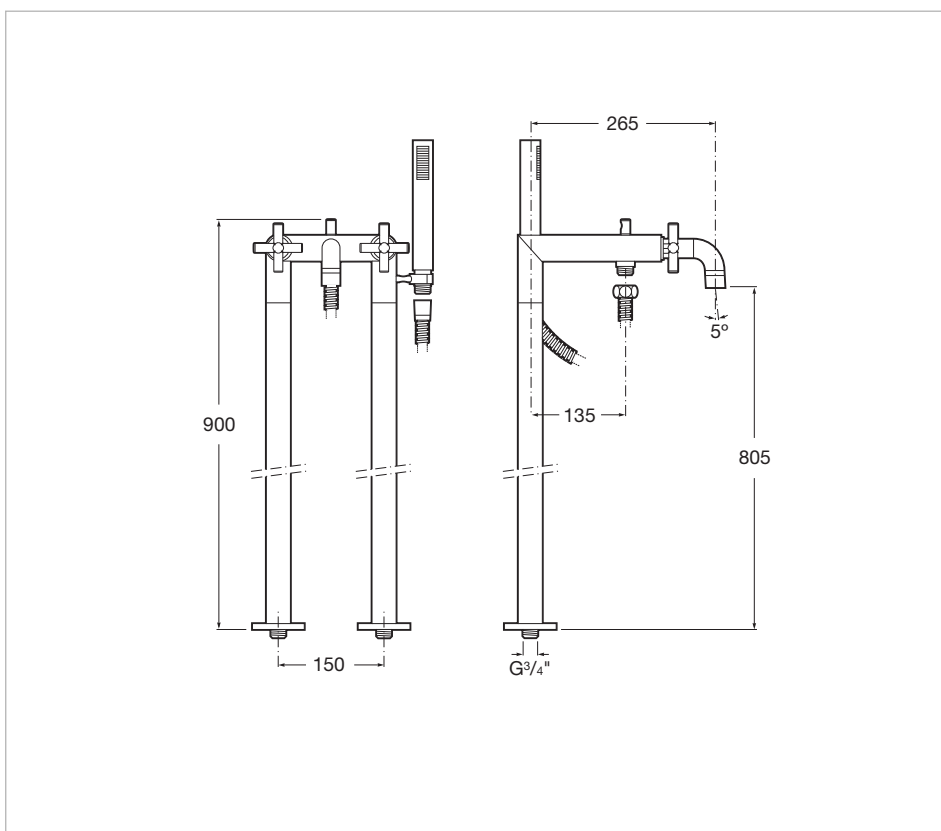




Wall-mounted bath-shower mixer with automatic diverter with retention, 1.75 m flexible shower hose, handshower and swivel wall bracket and floor pillar leg

Application place: Bathtub
 Diverter: Automatic
 Finish: Chrome
 Installation type: Floorstanding
 Twin lever control: 1/2 Turn

Technical drawings



The avant-garde design and the technology blend together to create strong and high-quality elements. This design is a timeless, singular and unalterable style proposal with a refined finish and the originality of its contours fill every space with elegance, precision and distinction.

